



DESCRIPTION:

- Contemporary style.
- High gloss / Crack-resistant acrylic.
- Slotted overflow & pop up drain included.
- Complies with CSA & IAPMO standards.

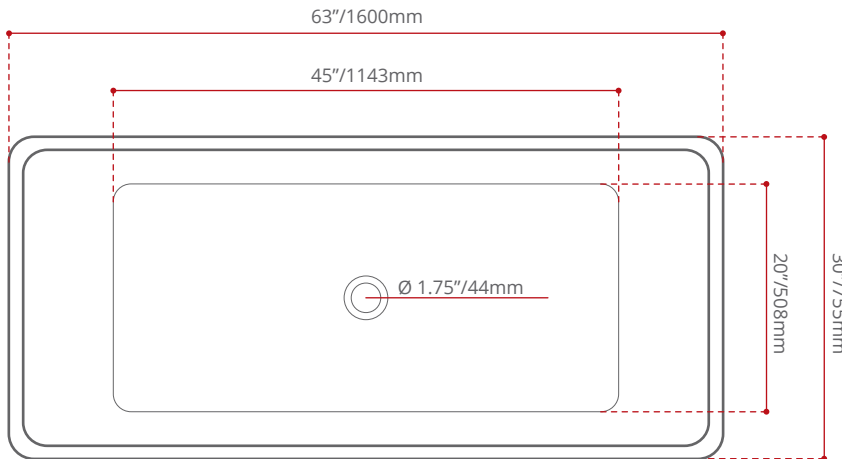
AVAILABLE OPTIONS:

- Exterior colours.

JETTING OPTIONS:

- Lateral Air Jets.
- Air Illusion Jets.
- Filler Air Jets.
- Square Zen Air Jets.
- V-Masseuse.
- Chromatherapy.
- Aromatherapy.
- Comfort warm system.

- For ease of installation use our Freestanding Faucet and Pump Allaire module -



WATER DEPTH

14" / 356mm

CAPACITY

70 gal.
265 litres of water

SHIPPING DIMENSIONS

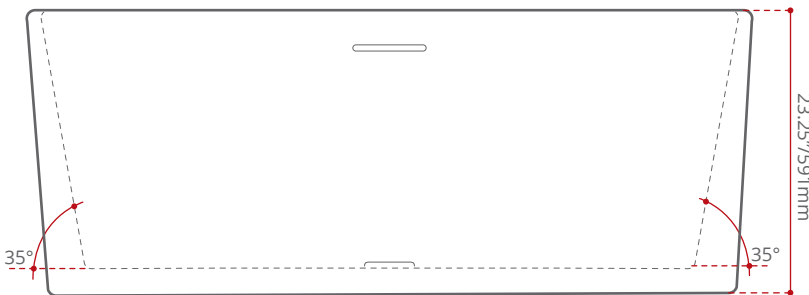
66 x 32 x 26" / 1676 x 813 x 660mm

NET WEIGHT

52 kg / 114.6 lbs

GROSS WEIGHT

66 kg / 145.5 lbs



Measurements may vary \pm 5mm
- Diagram NOT to scale -